

FEATURES

- Integrated gauge seal assembly
- Laser welded diaphragm
- Reduced vibration/pulsation

APPLICATION

- Sanitary, food & beverages
- Pharmaceutical & paints
- Bacterial & fungal accumulates which contaminates the process

Diaphragm Seal



STANDARD PARAMETERS

Accuracy	:	CL 1.6
Ambient temperature	:	-40...+65°C (without dampening liquid)
	:	-20...+65°C (with dampening liquid)
Service temperature	:	10...150°C max.
Pressure limits	:	Steady pressure up to FS value
	:	Fluctuating pressure up to 90% of FS value
	:	Short time 1.3 x FS value for range up to 100 bar
	:	Short time 1.15 x FS value for range above 100 bar
Weld joints	:	TIG argon arc welding

MATERIAL OF CONSTRUCTION

Sensing element	:	Diaphragm
Case & Ring material	:	AISI 304 SS (Bayonet type)
Diaphragm, Bourdon tube & Shank	:	AISI 316L SS
Movement mechanism	:	AISI 304 SS
Dial	:	Aluminum, black graduation on white background
Pointer	:	Fixed, aluminum, black powder coated
Gaskets & filling plug	:	Neoprene
Window	:	Plexi glass

STANDARD SPECIFICATIONS

Dial size	:	DN50 / DN63 / DN100
Range	:	-1...40 bar
Mounting pattern	:	Direct, Bottom connection
Process connection	:	1½" Sanitary connection
Seal filling fluid	:	Glycerine [10°C to 150°C]
Ingress protection	:	IP 65
Execution	:	Dry but fillable, glycerin

STANDARD SPECIFICATIONS : DAMPENING LIQUID FILLED, GLYCERIN

Window	:	Plexi glass
Dampening liquid	:	Glycerin 99.7%

TEMPERATURE EFFECT

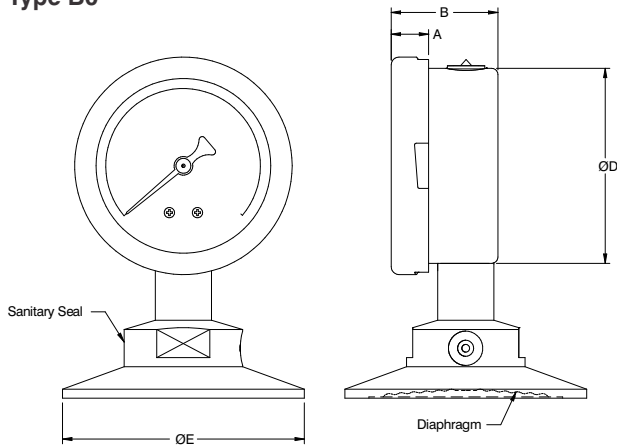
When temperature of the measuring system deviates from reference temperature (+20°C) max error $\pm 0.4\%$ / 10K of true scale value.

REFERENCE

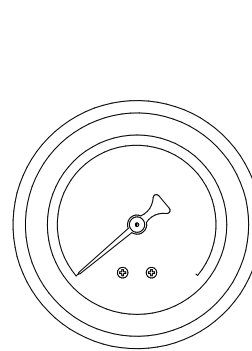
EN 837-1

DIMENSIONAL DRAWING

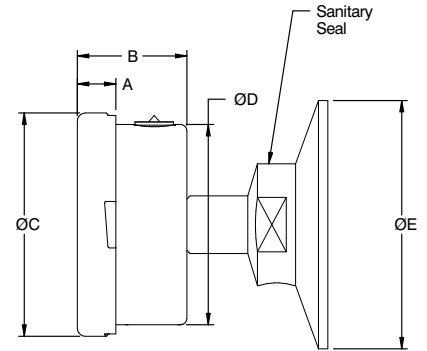
Type B0



Rolling Type



Type R0



DN	Clamp Size	A	B	ØC	ØD	ØE	Weight (grams)
50	1½"	9	34	58.5	51	50.5	305
	2"	9	34	58.5	51	64	366
	2½"	9	34	58.5	51	77.5	499
63	1½"	12	33	69.7	62.5	50.5	394
	2"	12	33	69.7	62.5	64	455
	2½"	12	33	69.7	62.5	77.5	588

DN	Clamp Size	A	B	ØC	ØD	ØE	Weight (grams)
50	1½"	9	34	58.5	51	50.5	305
	2"	9	34	58.5	51	64	366
	2½"	9	34	58.5	51	77.5	499
63	1½"	12	33	69.7	62.5	50.5	394
	2"	12	33	69.7	62.5	64	455
	2½"	12	33	69.7	62.5	77.5	588

All dimensions are in mm.

ORDERING CODES

1. DIAL SIZE

02	50 mm / 2"
25	63 mm / 2½"
04	100 mm / 4"

25

2. RANGE

XXX Refer "Range Table"

XXX

3. MOUNTING PATTERN

B0	Direct, Bottom connection
R0	Centre, Back connection

B0

4. PROCESS CONNECTION

T01	1" Sanitary connection
T15	1½" Sanitary connection
T02	2" Sanitary connection

T15

5. INGRESS PROTECTION

ER	IP 65
ES	IP 66
ET	IP 67

ER

6. EXECUTION

EB	Dry but fillable, glycerine
EG	Dampening liquid filled, glycerine

EB

7. OTHER OPTIONS

TA	5 - point calibration certificate
XR	Custom designed dial
XT	Dial tag marking
TC	Material test certificate 3.1
TM	Material test certificate 2.2
XG	SS tag plate, AISI 316 SS
XF	SS tag plate, AISI 304 SS
XO	Rolling type case & ring

XX

Ordering Example : P701-25-XXX-B0-T15-ER-EB

NOTES

- For other connections, please contact factory.
- For Tri-clamp, Seal gasket and Bottom matting part, refer to catalogue model A302.