

FEATURES

- Flushed diaphragm
- Exotic wetted parts with economic mounting flange
- Two-piece construction
- Optional flushing ring
- Instrument can be positioned 360°
- Replaceable wetted parts

APPLICATION

- Separation systems
- Isolation applications
- Viscous & corrosive media
- High-pressure applications
- High vibration application

Flushed, Rotatable Flange

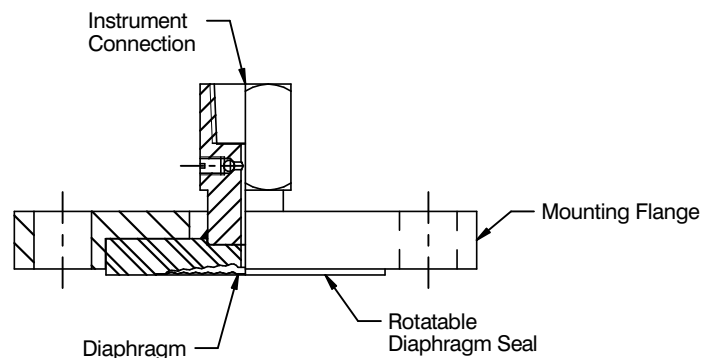


STANDARD SPECIFICATIONS

Range type	: -1 ... 250 bar
Chamber / Flange material	: AISI 316 SS
Diaphragm	: AISI 316L SS
Instrument connection	: 1/2" NPT (F)
Sealing fluid	: Silicon DC 200 (-40...205°C)
Process connection	: 1 1/2" 150# as per ANSI B16.5
Flange facing type	: Raised face
Protection on wetted parts	: Optional
Assembly	: Direct
Capillary	: Optional
Armour	: Optional
Remote mounting length	: Optional

DIMENSIONAL DRAWING

Type S42



All dimensions are in mm.

ORDERING CODES

1. RANGE TYPE		S46	7. PROCESS CONNECTION		A25
S46	-1...250 bar		XXX	Refer Flange Table for the codes	
2. MOUNTING FLANGE MATERIAL		LF	8. FLANGE FACING		R
LB	ASTM A105		F	Flat Face	
LC	AISI 304 SS		J	Ring-Type Joint	
LF	AISI 316 SS		R	Raised Face	
LG	AISI 316L SS		T	Tongue and Groove (T&G)	
3. CHAMBER MATERIAL		LF	9. PROTECTION ON WETTED PARTS		XX
LF	AISI 316 SS		PC	PTFE coating on diaphragm or wetted parts	
LG	AISI 316L SS		10. ASSEMBLY		B8
LM	Monel 400		B8	Direct	
LO	Hastelloy C-276		B9	Remote	
LV	Titanium		11. CAPILLARY		XX
LW	Tantalum		OU	AISI 304 SS	
4. DIAPHRAGM MATERIAL		DG	OV	AISI 316 SS	
DG	AISI 316L SS		12. ARMOUR		XX
DM	Monel 400		OX	AISI 304 SS	
DO	Hastelloy C-276		OY	AISI 316 SS	
DV	Titanium		OZ	PVC (Ambient max. 60°C)	
DW	Tantalum		13. REMOTE MOUNTING LENGTH		XXXX
5. INSTRUMENT CONNECTION		04N	XXXX	2000 mm up to 6000 mm	
03B	3/8" BSP (F)		14. OTHER OPTIONS		XX
04N	1/2" NPT (F)		XZ	Dry seal	
02B	1/4" BSP (F)		HL	Helium leak test	
04B	1/2" BSP (F)		TM	Material test certificate 2.2	
02N	1/4" NPT (F)		TC	Material test certificate 3.1	
6. SEALING FLUID		OA			
OA	Silicon DC 200 [-40°C to 205°C]				
OF	Food grade oil [-20°C to 140°C]				
OG	Glycerine [10°C to 150°C]				
OI	Syltherm 800 [-40°C to 315°C]				
OL	Silicon DC 710 [7°C to 371°C]				

Ordering Example : D405-S46-LF-LF-DG-04N-OA-A25-R-XX-B8

MOUNTING KITS

Hardware	Bolt/ Nut/ Washer
Flanges	Suitable mating type
Gaskets	Metal / Graphoil / Asbestos

NOTES:

- Other sealing liquids are available, contact factory for further details.
- All metal diaphragms are laser welded to the Top Chamber.