

FEATURES

- Inert gas filled expansion
- Various type of Microswitches
- Weatherproof versions

APPLICATION

- Marine applications
- Textile machineries
- Power & steel plants
- Furnace applications
- Oil & Gas, Refineries
- Petro-chemicals & Fertilizers
- Cement & Glass industries
- Railway engines & Turbines

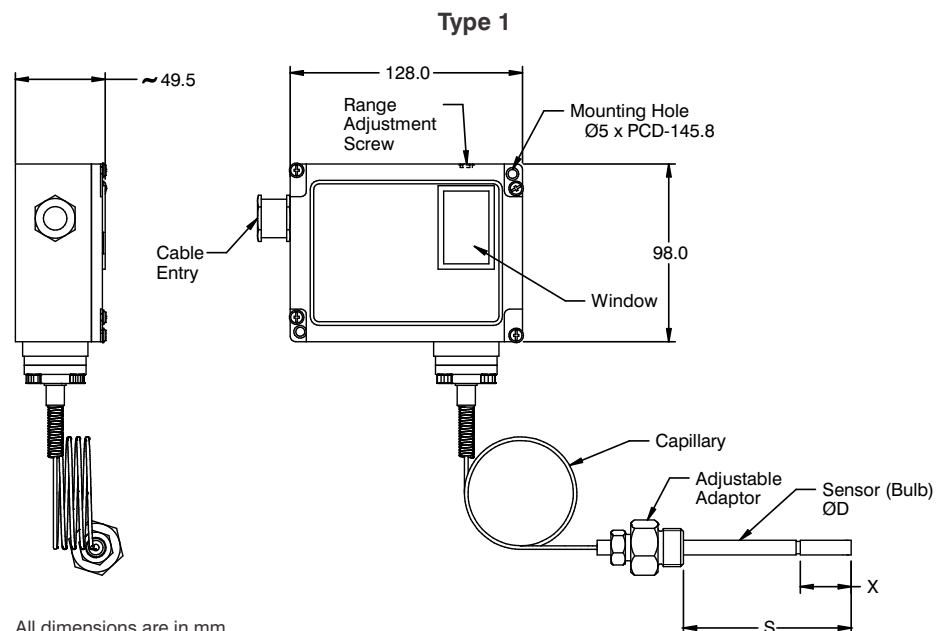
High accuracy & repeatability type



STANDARD SPECIFICATIONS

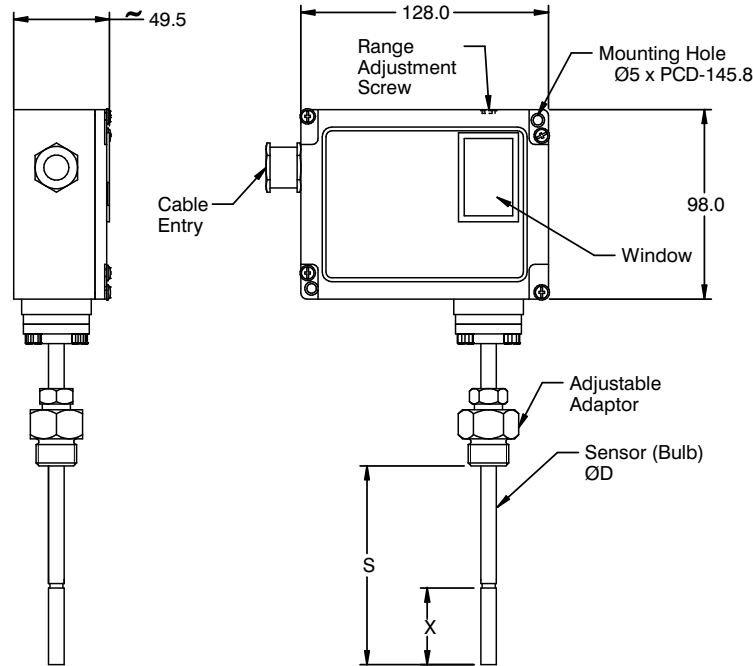
Repeatability	: $\pm 2\%$ F.S
Scale accuracy	: $\pm 5\%$ F.S
Measurement unit	: °C
Range	: Refer "Range Table"
Range adjustment	: External (Standard), Internal (Optional)
Differential	: Fixed (Standard), Adjustable (Optional)
Mounting	: Bottom / Panel
Enclosure material	: Aluminum pressure die cast
Sensor	: Inert gas filled bulb
Switch	: 1 SPDT Snap action micro switch
Switch rating	: 15A,250 VAC / 0.2A,24 VDC (Standard)
Process connection	: 1/2" NPT (M), Adjustable
Maximum temperature limit	: 130% of FS
Ambient temperature	: -10...60 °C
Cable entry	: PG.13.5 mm
Set point	: Between 20 to 80 % F.S for better performance
High voltage strength	: 0.5 to 0.6 KV between open contacts and 2 KV between contact and body

DIMENSIONAL DRAWING



DIMENSIONAL DRAWING

Type 2



All dimensions are in mm.

MICROSWITCH SPECIFICATION

DESCRIPTION	RATING	RATING	DIFFERENTIAL	TYPE	SWITCH CODE	
	AC	DC			1 No.	2 Nos.
Low deadband / differential	15A/250V, 2A/24V 0.2A/220V	15A/250V, 2A/24V 0.2A/220V	Fix	SPDT	M10	M20
High dead band / differential	15A/250V, 6A/24V 0.25A/220V	15A/250V, 5A/24V 0.03A/220V	Fix / Adjustable	SPDT	M11	M21
Gold plated switch	1A/250V	0.5A/28V	Fix	SPDT	M13	M23
Environmentally sealed silver contact	5A/28V	-	Fix	SPDT	M14	M24
Hermetically sealed silver contact	3A/28V	2A/24V	Fix	SPDT	M16	M26
Hermetically sealed gold contact	1A/125V	-	Fix	SPDT	M17	M27
High DC rating	10A/125V	6A/125V	Fix / Adjustable	SPDT	M18	M28
DPDT	10A/125V, 0.2A/250V	-	Fix / Adjustable	DPDT	M08	-

ORDERING CODES

1. RANGE		C16	8. ASSEMBLY	
XXX Refer "Range Table"			B8 Direct (Stem type)	B8
			B9 Remote (Capillary type)	
2. STEM MATERIAL		MF	9. CAPILLARY	
MF AISI 316 SS			OU AISI 304SS	XX
			OV AISI 316 SS	
3. SET POINT		S8	10. ARMOUR	
S8 On Raising			OX AISI 304SS	XX
S9 On Falling			OY AISI 316 SS	
			OZ PVC (Ambient max. 60°C)	
4. MICROSWITCH TYPE		M10	11. REMOTE MOUNTING LENGTH	
XXX Refer "Microswitch Specification"			XXXX 250 mm up to 6,000 mm	XXXX
5. CABLE ENTRY		J8	12. PROCESS CONNECTION	
J8 PG 13.5			13B 3/8" BSP (M) ⁴	14N
C0 3/4" ET (F)			14B 1/2" BSP (M)	
C1 1/2" NPT (F)			14N 1/2" NPT (M)	
C4 4 Pin Connector			13. OTHER OPTIONS	
C7 7 Pin Connector			TB Calibration Certificate	XX
6. STEM DIAMETER		M60	XF AISI 304 SS tag plate	
M60 6.0 mm			XV Wall mounting bracket	
I14 1/4" (6.35 mm)			XS Mounting bracket with 2" U-clamp	
M80 8.0 mm			TC Material test certificate 3.1	
M95 9.5 mm			KE Cable gland, double compression	
M10 10 mm			weatherproof, Ni-plated brass	
M12 12 mm				
7. STEM LENGTH		300		
XXXX Up to 600 mm (Confirm factory before ordering)				

Ordering Example : T704-C16-MF-S8-M10-J8-M60-300-B8-XX-XX-XXXX-14N

RANGE TABLE

CODE	RANGE " °C "
C13	5...50
C16	10...100
C20	20...200
C22	50...300
C23	100...400

COMPATIBLE ACCESSORIES

W101	: Fabricated threaded thermowell
W102	: Bar-stock threaded thermowell
W103	: Fabricated flanged thermowell
W104	: Bar-stock flanged thermowell

NOTES

1. Except "Standard" connection, other connections are given through adaptors.
2. The option "TC" covers only wetted parts.
3. Cable gland is available in other materials, contact factory.
4. 3/8" connections are available up to 10 mm stem diameter only.